



REMY AUTOMOTIVE EUROPE
We are OE manufacturer

new!

- DRA2074N -

Without core

Brand new unit 12V 100amp



	DRA2074N	OPEL
		<p>i</p> <p>Voltage: 12 V</p> <p>Amperage: 100 A</p> <p>Regulator:</p> <p>Rev. Counter:</p> <p>Ribs: PVR 6</p> <p>Tech. Bulletin:</p>
	<p><i>Plug 700</i></p> <p>Terminal Markings L Lamp/Trio DF Field</p> <p>Reg. Type iR</p>	

ISUZU New Cycle L
4EH2 series
1.7 CDTI - 92kW
since 09/2006 for:

- OPEL Astra H
Meriva
Zafira

Cross references:

Delco Remy: 8400157 • Delco Remy: DRA2074N

Opel: 98031154 • Isuzu: 8 9803 1154 1



REMY AUTOMOTIVE EUROPE
We are OE manufacturer

new!

- DRA2075N -

Without core

Brand new unit 12V 140amp



	DRA2075N	OPEL												
		<p>i</p> <table border="1"> <tr> <td>Voltage:</td> <td>12 V</td> </tr> <tr> <td>Amperage:</td> <td>140 A</td> </tr> <tr> <td>Regulator:</td> <td>IR</td> </tr> <tr> <td>Rev. Counter:</td> <td></td> </tr> <tr> <td>Ribs:</td> <td>PVR 6</td> </tr> <tr> <td>Tech. Bulletin:</td> <td></td> </tr> </table>	Voltage:	12 V	Amperage:	140 A	Regulator:	IR	Rev. Counter:		Ribs:	PVR 6	Tech. Bulletin:	
Voltage:	12 V													
Amperage:	140 A													
Regulator:	IR													
Rev. Counter:														
Ribs:	PVR 6													
Tech. Bulletin:														
	<p><i>Plug 700</i></p> <p>DF L</p> <p>Terminal Markings Reg. Type L Lamp/Trio IR DF Field</p>													

ISUZU New Cycle
L ENGINE
4EH2 series
1.7 CDTI - 92kW
since 09/2006 for:

- OPEL Astra H
Meriva
Zafira
With A/C

Cross references:

Delco Remy: 8400156 • Delco Remy: DRA2075N
Opel: 98031155 • Isuzu: 8 9803 1155 1



REMY AUTOMOTIVE EUROPE
We are OE manufacturer

new!

- DRA4294N -

Without core

**Brand new unit 12V 100amp
 Alternator with Crash Kit**



	DRA4294N	OPEL												
		<p align="center">i</p> <table border="1"> <tr> <td>Voltage:</td> <td>12 V</td> </tr> <tr> <td>Amperage:</td> <td>100 A</td> </tr> <tr> <td>Regulator:</td> <td></td> </tr> <tr> <td>Rev. Counter:</td> <td></td> </tr> <tr> <td>Ribs:</td> <td>PVR 6</td> </tr> <tr> <td>Tech. Bulletin:</td> <td></td> </tr> </table>	Voltage:	12 V	Amperage:	100 A	Regulator:		Rev. Counter:		Ribs:	PVR 6	Tech. Bulletin:	
Voltage:	12 V													
Amperage:	100 A													
Regulator:														
Rev. Counter:														
Ribs:	PVR 6													
Tech. Bulletin:														
	<p><i>Plug 700</i></p> <p>Terminal Markings Reg. Type L Lamp/Trio IR DF Field</p>													

ISUZU New Cycle
 L ENGINE
 4EH2 series
 1.7 CDTI - 92kW
 since 09/2006 for:

- OPEL Corsa D
Without A/C

Cross references:

Delco Remy: 8400159 • Delco Remy: DRA4294N
 Opel: 98042872 • Isuzu: 8 9804 2872 0



REMY AUTOMOTIVE EUROPE
We are OE manufacturer

new!

- DRA4287N -

Without core

Brand new unit 12V 120amp



	DRA4287N	ALFA ROMEO,FIAT, OPEL, VAUXHALL												
		<p style="text-align: center;">i</p> <table border="1"> <tr> <td>Voltage:</td> <td>12 V</td> </tr> <tr> <td>Amperage:</td> <td>120 A</td> </tr> <tr> <td>Regulator:</td> <td></td> </tr> <tr> <td>Rev. Counter:</td> <td></td> </tr> <tr> <td>Ribs:</td> <td>PVR 5</td> </tr> <tr> <td>Tech. Bulletin:</td> <td></td> </tr> </table>	Voltage:	12 V	Amperage:	120 A	Regulator:		Rev. Counter:		Ribs:	PVR 5	Tech. Bulletin:	
Voltage:	12 V													
Amperage:	120 A													
Regulator:														
Rev. Counter:														
Ribs:	PVR 5													
Tech. Bulletin:														
	<p>PLUG 381</p> <p>Terminal Markings Reg. Type B+ Positive IR D+ Thro / Lamp</p>													

1.6/1.8 XER ENGINE on:

- FIAT Croma (194 platform)
- ALFA ROMEO 159 (939 platform)
- OPEL/VAUXHALL Astra H, Meriva, Signum, Vectra C, Zafira

Cross references:

Delco Remy: 18000004 • Delco Remy: DRA4287N

GM: 51754153



REMY AUTOMOTIVE EUROPE
We are OE manufacturer

new!

- DRA4295N -

Without core

Brand new unit 12V 140amp
Alternator with Crash Kit



	DRA4295N	OPEL												
		<p style="text-align: center;">i</p> <table border="1"> <tr> <td>Voltage:</td> <td>12 V</td> </tr> <tr> <td>Amperage:</td> <td>140 A</td> </tr> <tr> <td>Regulator:</td> <td></td> </tr> <tr> <td>Rev. Counter:</td> <td></td> </tr> <tr> <td>Ribs:</td> <td>PVR 6</td> </tr> <tr> <td>Tech. Bulletin:</td> <td></td> </tr> </table>	Voltage:	12 V	Amperage:	140 A	Regulator:		Rev. Counter:		Ribs:	PVR 6	Tech. Bulletin:	
Voltage:	12 V													
Amperage:	140 A													
Regulator:														
Rev. Counter:														
Ribs:	PVR 6													
Tech. Bulletin:														
	<p>Plug 700</p> <p>Terminal Markings L Lamp/Trio DF Field</p> <p>Reg. Type iR</p>													

ISUZU New Cycle
L ENGINE
4EH2 series
1.7 CDTI - 92kW
since 09/2006 for:

- OPEL Corsa D
Without A/C

Cross references:

Delco Remy: 8400158 • Delco Remy: DRA4295N
Opel: 98042873 • Isuzu: 8 9804 2873 0



REMY AUTOMOTIVE EUROPE
We are OE manufacturer





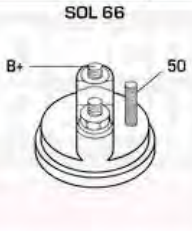
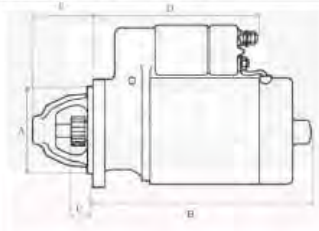
new!

- DRS3967N -

Without core

Brand new unit 12V 2,3 kw



	DRS3967N	FIAT, PSA								
		<p>i</p> <table border="1"> <tr> <td>Voltage:</td> <td>12 V</td> </tr> <tr> <td>Kilowatt:</td> <td>2,3 kW</td> </tr> <tr> <td>Rotation:</td> <td>CW</td> </tr> <tr> <td>Teeth:</td> <td>9 T</td> </tr> </table>	Voltage:	12 V	Kilowatt:	2,3 kW	Rotation:	CW	Teeth:	9 T
Voltage:	12 V									
Kilowatt:	2,3 kW									
Rotation:	CW									
Teeth:	9 T									
	<p>SOL 66</p> 	<p>Technical Bulletin:</p> 								

244 series since
04/2002 for:

- PEUGEOT Boxer
2.8 HDi
- CITROËN Jumper
2.8 HDi
- FIAT Ducato
2.3JTD/2.8JTD

Cross references:

Delco Remy: 8000032 • Delco Remy: DRS3967N

• Iveco: 551959670 • Fiat: 1347058080 • PSA: 5802AQ



REMY AUTOMOTIVE EUROPE
We are OE manufacturer

new!

- DRS9840N -

Without core

Brand new unit 12V 1,4kW 9T
Starter PG260D



VAUXHALL



OPEL



Delco Remy

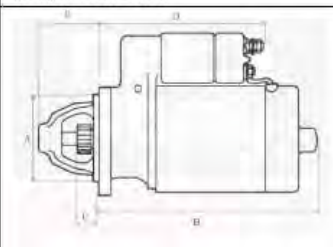
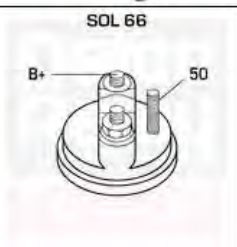
DRS9840N

OPEL, VAUXHALL, SAAB



i	
Voltage:	12 V
Kilowatt:	1,4 kW
Rotation:	CW
Teeth:	9 T

Tech. Bulletin:



Ecotec Engine
1.9 - 2.2L for:

- NEW OPEL Astra G
Vectra C
Signum
Zafira
- NEW SAAB 9-3 03/05

Cross references:

Delco Remy: 8000180 • Delco Remy: DRS9840N

GM: 55556245



REMY AUTOMOTIVE EUROPE

We are OE manufacturer

new!

- DRS3987N -

Without core

Brand new unit 12V 1,1kW

GM New XER ENGINE • 1.6/1.8 XER Gasoline

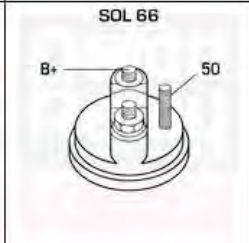
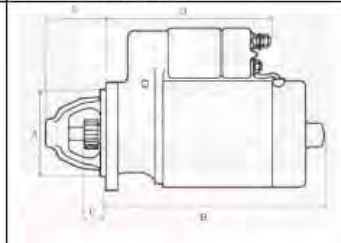


DRS3987N

ALFA, FIAT, OPEL, VAUXHALL



i	
Voltage:	12 V
Kilowatt:	1,1 kW
Rotation:	CW
Teeth:	9 T



1.6/1.8 XER ENGINE on:

- **FIAT Croma**
(194 platform)
- **ALFA ROMEO 159**
(939 platform)
- **OPEL/VAUXHALL**
Astra H, Meriva, Signum, Vectra C, Zafira

Cross references:

Delco Remy: 8000048 • Delco Remy: DRS3987N

GM: 55556092

Brand new units
without core

DRS3956N
DRA4237N



Delco Remy		DRS3956N		FORD	
				i Voltage: 12 V Kilowatt: 1,4 kW Rotation: CW Teeth: 10 T	
		SOL 66		Tech. Bulletin: 	
				A: 76,1 mm B: 136 mm C: 32 mm	

Delco Remy		DRA4237N		FORD	
				i Voltage: 12 V Amperage: 124 A Regulator: IR Rev. Counter: Pulley: PVR 6 Tech. Bulletin:	
	FLUG 670 FR 502 A 				
				A: 23 mm B: 63 mm C: 123 mm D: 15 mm E: 15 mm	



Built on Transit & Tourneo CONNECT

Remy Automotive Distributor: